

PPC-1010W series

Freescal e i.MX6 Multi-Touch Panel PC

Preliminary



Features

- Industrial & jumper-less design
- Backup brain, RTOS inside
- Freescale Cortex-A9 i.MX6 DualLite 1.0 GHz
- On-board DDR3 1GB
- P-Cap 10.1" touch LCD, 1024x600 resolution
- 1 x 10/100/1000 Mbps Ethernet
- 2 x USB 2.0
- 1 x RS-485
- 1 x mini-PCIe for WLAN/WWAN support
- 1 x standard SD slot
- Multiple OS support in Linux/Android/WEC7
- Low power consumption, 5V DC input



Specifications

System

CPU	Freescal e i.MX6 Cortex-A9 DualLite 1.0 GHz (Solo/Quad by request)
System Memory	Onboard 1GB DDR3-800 SDRAM
Flash	8MB NOR Flash
HDMI	1 x HDMI 1920x1080
Graphic Engine	OpenGL ES 1.1 and 2.0, OpenCL EP, OpenVG 1.1
H/W Video Codec	Decoder: MPEG-4 ASP, H.264 HP, H.263, MPEG-2 MP, MJPEG BP Encoder: MPEG-4 SP, H.264 BP, H.263, MPEG BP
Watchdog	1~256 level (second)
Indicator	1 x configurable indicator controlled by MCU 1 x configurable indicator controlled by i.MX6

I/O

LAN	1 x 10/100/1000 Mbps (RJ45 with LED x 2)
USB	2 x USB 2.0
Serial Port	1 x RS-485 (3.5mm terminal block)
Button	None

Expansion

PCIe	1 x full size mini PCIe (PCIe & USB signal)
SD	1 x standard SD slot
Antenna	1 x Antenna hole

Panel

LCD Resolution	10.1", 1024 x 600
Luminance	350 cd/m2
Viewing angle	70 (U), 70 (D), 70 (L), 70 (R)
Touch Type	Projected Capacitive

Software

Linux	Embedded Linux 3.0.35 (Ubuntu 12 available)
Android	Lollipop 5.0 (others by request)

Power

DC-input	5V (4.75V~5.25V)
Control	Power on by DC attached or via power button.
Consumption	~10W (TBD)

Mechanical & Environmental

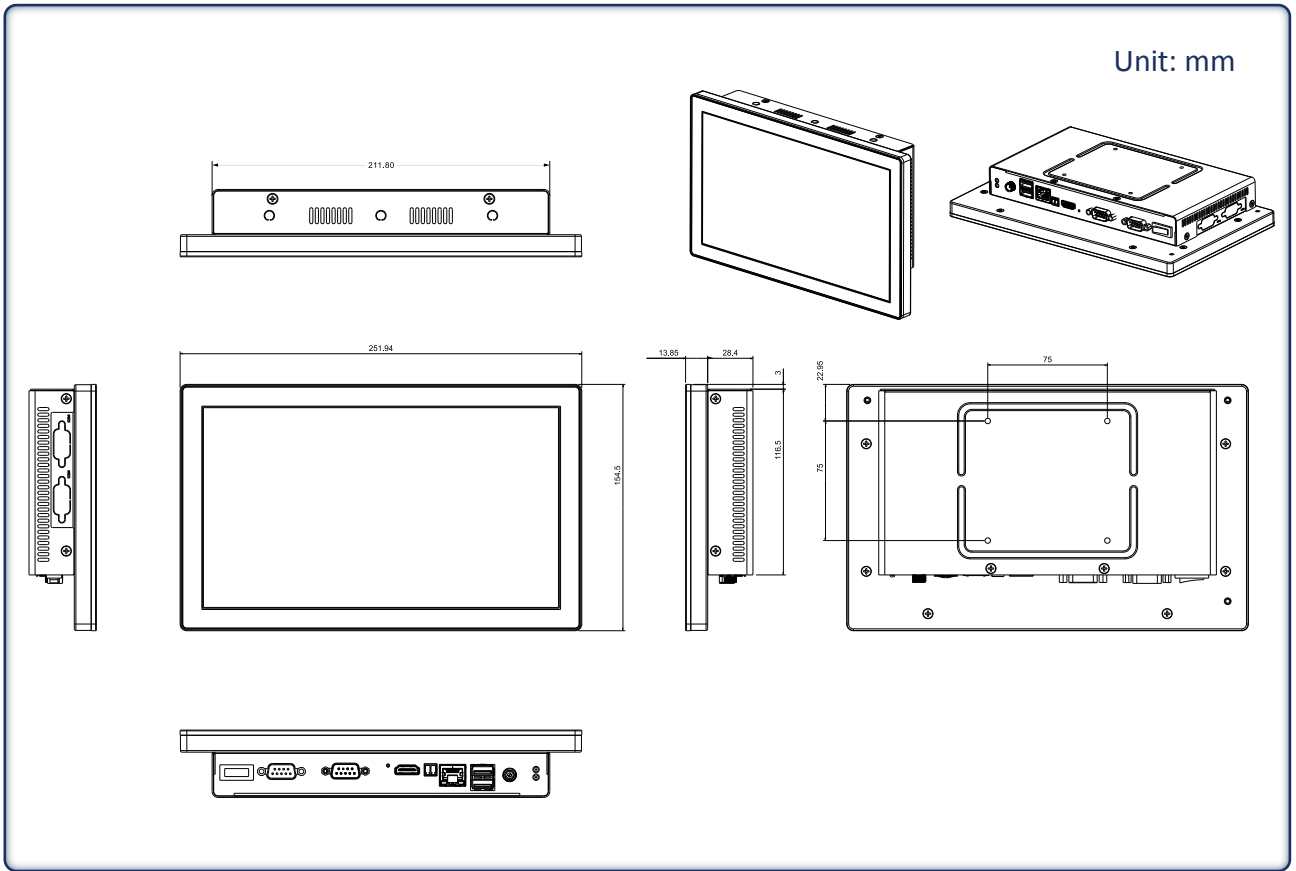
Operating Temperature	0°C ~ 50°C
Operating Humidity	5%~95% Relative Humidity, Non-condensing
Dimensions	252 x 155 x 43 mm

Certification

CE/FCC

Dimensions

Unit: mm



Ordering Information

Part No.	Description
PPC-1010W-00A1	10.1" P-Cap touch panel PC w/ Freescale i.MX6 DualLite 1.0 GHz, 1GB DDR3, HDMI, LAN, 2xUSB, 1xRS-485, 8GB SD

Packing List

Part No.	Description	Quantity
PPC-1010W-00A1	10.1" P-Cap touch panel PC w/ Freescale i.MX6 DualLite 1.0 GHz, 1GB DDR3, HDMI, LAN, 2xUSB, 1xRS-485, 8GB SD	1

Optional Accessories

Part No.	Description
5220503000R	Power cable (USB to DC-Jack lockable) 30cm
5379025000R	Adapter 25W, 5V/5A DC output (115~230Vac input)
5220318000R	Power adapter cord 180cm (Europe)
5220318001R	Power adapter cord 180cm (US)
ASD3-ML001-A1	8GB MLC SD card w/Linux
ASD3-MA001-A1	8GB MLC SD card w/Android