

ICS-2010 series

Freescal e i.MX6 Compact Box

Preliminary



Features

- Real time status readable (current/voltage/temp.)
- Industry & jump-less design
- Backup brain, RTOS inside
- Ultra compact & tiny box computer
- Freescale Cortex-A9 i.MX6 DualLite 1.0 GHz
- On-board DDR3 1GB
- 1 x HDMI 1920x1080
- 1 x 10/100/1000 Mbps Ethernet
- 2 x USB 2.0
- 1 x RS-485
- 1 x mini-PCIe for WLAN/WWAN support
- 1 x standard SD slot
- Multiple OS support in Linux/Android
- Low power consumption, 5V DC input



yocto
PROJECT



Specifications

System

CPU	Freescal e i.MX6 Cortex-A9 DualLite 1.0 GHz (Solo/Quad by request)
System Memory	Onboard 1GB DDR3-800 SDRAM
Flash	8MB NOR Flash
HDMI	1 x HDMI 1920x1080
Graphic Engine	OpenGL ES 1.1 and 2.0, OpenCL EP, OpenVG 1.1
H/W Video Codec	Decoder: MPEG-4 ASP, H.264 HP, H.263, MPEG-2 MP, MJPEG BP Encoder: MPEG-4 SP, H.264 BP, H.263, MPEG BP
Watchdog	1~256 level (second)
Indicator	1 x configurable indicator controlled by MCU 1 x configurable indicator controlled by i.MX6

I/O

LAN	1 x 10/100/1000 Mbps (RJ45 with LED x 2)
USB	2 x USB 2.0
Serial Port	1 x RS-485 (3.5mm terminal block)
Button	3 x buttons

Expansion

PCIe	1 x full size mini PCIe (PCIe & USB signal)
SD	1 x standard SD slot
Antenna	1 x Antenna hole

Software

Linux	Embedded Linux 3.0.35 (Ubuntu 12 available)
Android	Jelly Bean 4.3 (others by request)

Power

DC-input	5V (4.75V~5.25V)
Control	Power on by DC attached or via power button.
Consumption	~3W

Mechanical & Environmental

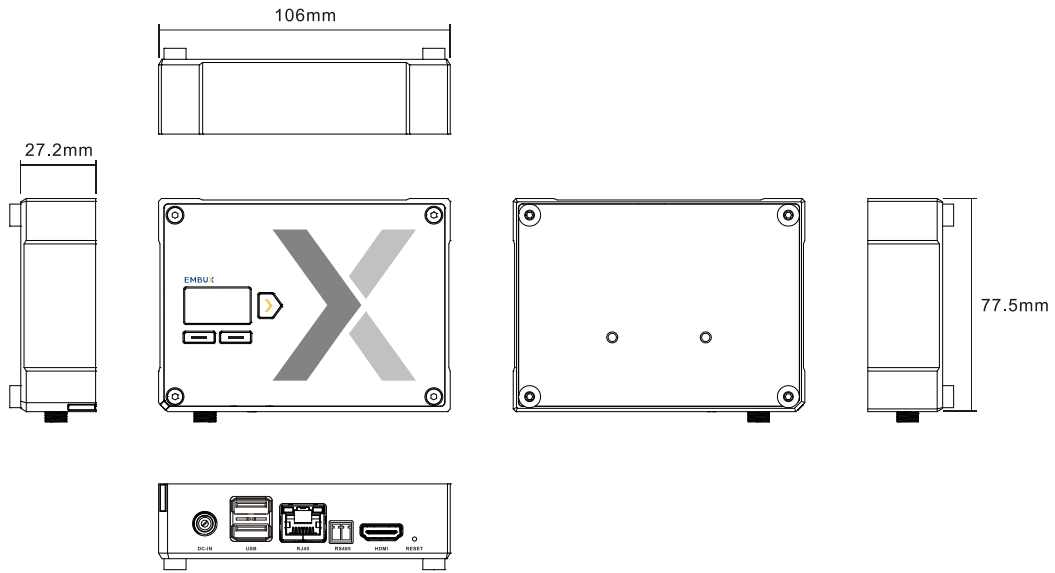
Operating Temperature	0°C ~ 50°C
Operating Humidity	5%~95% Relative Humidity, Non-condensing
Dimensions	106 x 77.5 x 27.2 mm

Certification

	CE/FCC
--	--------

Dimensions

Unit: mm



Ordering Information

Part No.	Description
ICS-2010D-00A1	Freescale i.MX6 DualLite 1.0 GHz compact box w/ 1GB DDR3, HDMI, LAN, 2xUSB, 1xRS-485, 8GB SD

Packing List

Part No.	Description	Quantity
ICS-2010D-00A1	Freescale i.MX6 DualLite 1.0 GHz compact box w/ 1GB DDR3, HDMI, LAN, 2xUSB, 1xRS-485, 8GB SD	1

Optional Accessories

Part No.	Description
5220503000R	Power cable (USB to DC-Jack lockable) 30cm
5379025000R	Adapter 25W, 5V/5A DC output (115~230Vac input)
5220318000R	Power adapter cord 180cm (Europe)
5220318001R	Power adapter cord 180cm (US)
ASD3-ML001-A1	8GB MLC SD card w/Linux
ASD3-MA001-A1	8GB MLC SD card w/Android