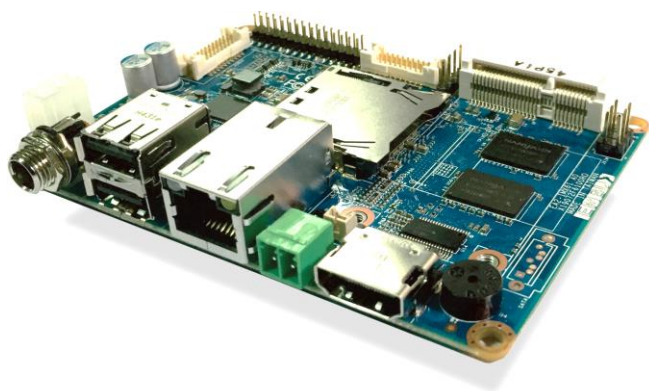


# ICM-2010 series

## 2.5" Pico-ITX Freescale i.MX6 CPU Board



### Features

- All solid capacitors & 1% precision resistors design
- Industry & jump-less design
- Power on/off test over 100 times before shipment
- Freescale Cortex-A9 i.MX6 DualLite 1.0 GHz
- On-board DDR3 1GB
- 1 x 18/24 bit LVDS output
- 1 x HDMI 1920x1080
- 1 x 10/100/1000 Mbps Ethernet
- 3 x USB 2.0 (2 external + 1 internal)
- 1 x RS-232 (2-wire), 1 x RS-485, 1 x CAN
- 1 x mini-PCIe for WLAN/WWAN support
- 1 x standard SD slot
- 1 x EMBUX X-Port for EIS(EMBUX intelligent system)
- Multiple OS support in Linux/Android
- Low power consumption, 5V DC input



### Specifications

#### System

CPU	Freescale i.MX6 Cortex-A9 DualLite 1.0 GHz (Solo/Quad by request)
System Memory	Onboard 1GB DDR3-800 SDRAM
Flash	8MB NOR Flash
HDMI	1 x HDMI 1920x1080
LVDS	1 x 18/24 bit LVDS
Watchdog	1~256 level (second)

#### I/O

LAN	1 x 10/100/1000 Mbps (RJ45 with LED x 2)
USB	1 x 2 USB 2.0 (double deck) 1 x USB 2.0 (miscellaneous header)
Serial Port	1 x RS-232 (2-wire) header 1 x RS-485 (3.5mm terminal block)
CAN	1 x CAN (miscellaneous header)
GPIO	7 x GPIO

#### Expansion

PCIe	1 x full size mini PCIe (PCIe & USB signal)
SATA	1 x SATA port (SATA II, Quad model only)
SD	1 x standard SD slot
SIM	1 x SIM card header

#### Software

Linux	Embedded Linux 3.0.35 (Ubuntu 12 available)
Android	Jelly Bean 4.3 (others by request)

#### Power

DC-input	5V (4.75V~5.25V)
Control	Power on by DC attached or via power button.
Consumption	~3W

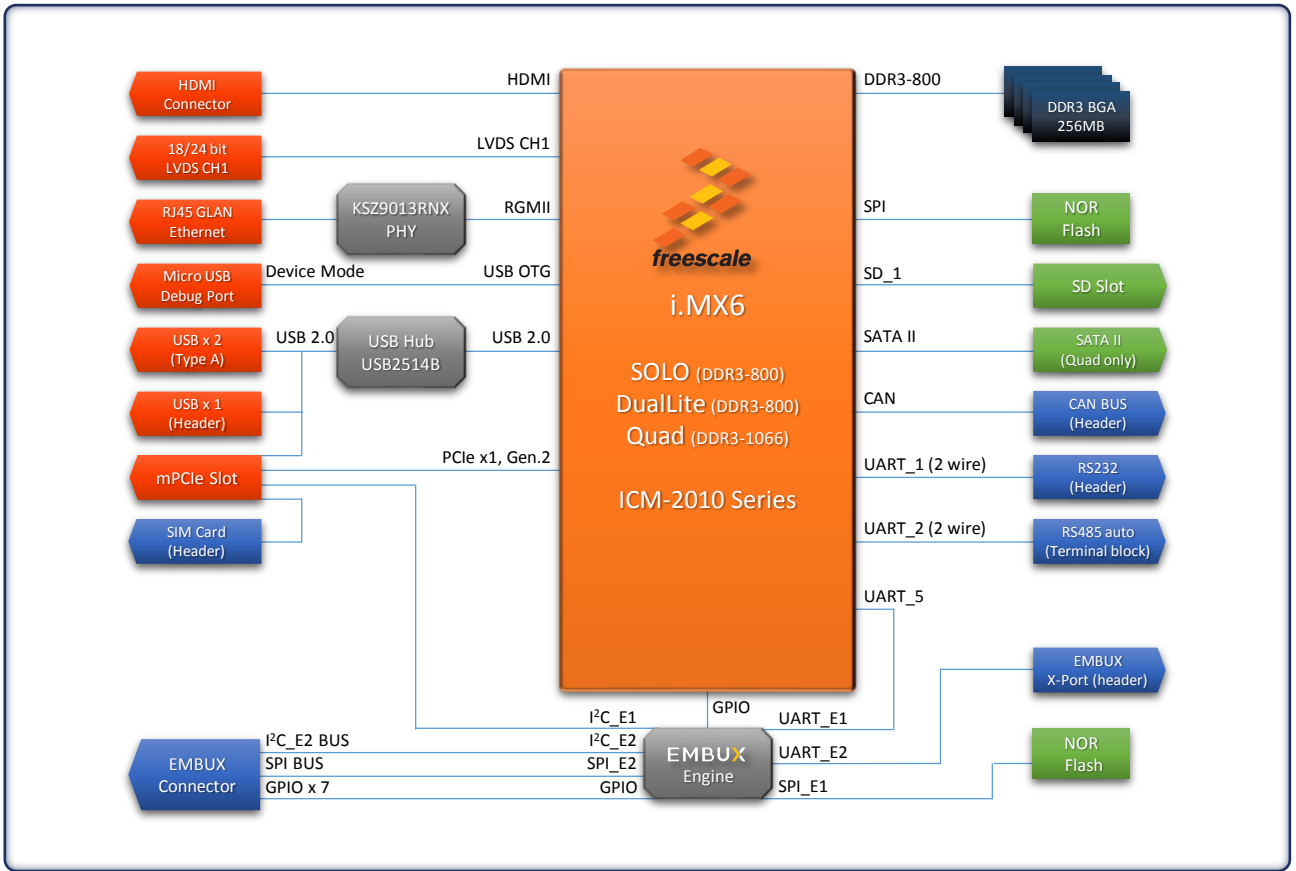
#### Mechanical & Environmental

Operating Temperature	0°C ~ 60°C
Operating Humidity	5%~95% Relative Humidity, Non-condensing
Dimensions	PICO-ITX (100 x 72 mm)

#### Certification

CE/FCC

# Block Diagram



## Ordering Information

Part No.	Description
ICM-2010D-00A1	2.5" Pico-ITX Freescale i.MX6 DualLite 1.0 GHz computing Board w/ 1GB DDR3, HDMI, 18/24 bit LVDS, LAN, USB

## Packing List

Part No.	Description	Quantity
ICM-2010D-00A1	2.5" Pico-ITX Freescale i.MX6 DualLite 1.0 GHz computing Board w/ 1GB DDR3, HDMI, 18/24 bit LVDS, LAN, USB	1

## Optional Accessories

Part No.	Description
5220503000R	Power cable (USB to DC-Jack lockable) 30cm
5379025000R	Adapter 25W, 5V/5A DC output (115~230Vac input)
5220318000R	Power adapter cord 180cm (Europe)
5220318001R	Power adapter cord 180cm (US)
ASD3-ML001-A1	8GB MLC SD card w/Linux
ASD3-MA001-A1	8GB MLC SD card w/Android